



(12) EUROPEAN PATENT APPLICATION

(43) Date of publication:
 27.01.1999 Bulletin 1999/04

(51) Int Cl.⁶: G01S 13/00

(21) Application number: 98830378.0

(22) Date of filing: 22.06.1998

(84) Designated Contracting States:
 AT BE CH CY DE DK ES FI FR GB GR IE IT LI LU
 MC NL PT SE
 Designated Extension States:
 AL LT LV MK RO SI

(72) Inventors:
 • Cellai, Luca
 00156 Rome (IT)
 • De Martino, Domenico
 00176 Rome (IT)

(30) Priority: 24.06.1997 IT RM970378

(74) Representative: Perrotta, Luciana, Dr.
 c/o D. Perrotta & C. S.a.s.,
 Corso Vittorio Emanuele II, 21
 00186 Roma (IT)

(71) Applicant: SPACE ENGINEERING S.P.A.
 I-00155 Roma (IT)

(54) Digital bi-static spread spectrum radar

(57) Bi-static radar, with pseudo-random signal transmission, constituted by a transmitter and a receiver connected to separate antennas placed at distant locations. Pseudo-random (spread spectrum) signal transmission allows to detect less reflective and more distant targets when compared to traditional radar with the same available power and bandwidth. This result (as all range cells of all receiving beams are simultaneously processed in parallel) is due to the greater energy inci-

dent on the target and the peculiar receiver. The receiver beams simultaneity is due to joint use of receiving array antenna and digital beam-forming techniques. The parallel analysis of all range cells is assured by the architecture of the digital receiver. The radar exhibits low probability of detection by ECM receivers and excellent anti-jamming resistance. The radar can be used in military, civil and scientific applications and in the guidance of devices using passive sensors.

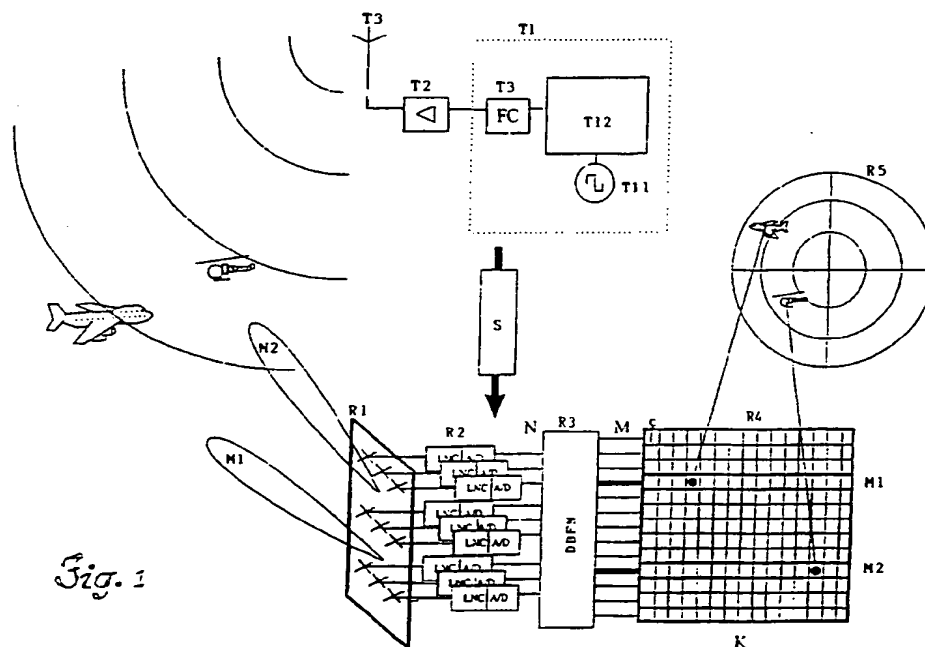


Fig. 1

EP 0 893 703 A1

D scription:

The invention concerns a radar using a transmission method with a pseudo - random signal (spread spectrum), which allows an optimal usage of the available transmission power. This radar is constituted by a transmitter and a receiver capable to be connected, respectively, to physically and functionally separate antennas, also of different types, that can be located in different places, also very far away from each other. The radar transmission method uses a continuous, pseudo-random, signal, known also as spread spectrum signal, or in short, (spread spectrum), that allows to detect targets less reflective and more distant, when compared to traditional radar with the same available power and for a fixed bandwidth availability. This behavior is due to the greater energy incident on the target and to the particular type of the receiver used.

(During the description, English peculiar terms have been used, of the specific language used in radar technology, to make easier the text's comprehension to the experts of the field).

The originality of the invention is essentially based on the combination of the following elements:

- pseudo-random characteristics (spread spectrum) of the transmitted signal;
- physical and functional separation of the transmitting and receiving antennas (bi - static radar);
- usage of an array antenna as receiving antenna;
- analog to digital conversion of the signal received from each elementary antenna of the array;
- parallel and simultaneous forming (with a digital technique) of the receiving beams;
- simultaneous multiple correlation and parallel architecture of the digital receivers connected to each output of the digital beam forming network.

As well known, radar is an apparatus that can detect the presence of objects, normally with no cooperation, which are located at a certain distance from it (radar range), by employing the property of the objects to reflect electromagnetic energy transmitted by the radar itself.

This energy is intercepted by the target, and a part of it is scattered in the space. The radar receiving antenna collects a part of the energy scattered by the target and sends it to the receiver, which processes it just to detect the presence of an echo and to extract position data, and possibly velocity data.

Currently, two main types of radar are employed:

- pulsed radar and
- continuous wave radar.

In the pulsed radar the measure of target distance is performed by the measurement of the time elapsed from the transmission of an electromagnetic energy

pulse to the reception of its echo.

In the continuous wave radar, a continuous wave, typically frequency modulated by a triangular signal, is transmitted. The measure of the target distance is made through the measurement of the frequency shift between the transmitted signal and the one eventually received.

Normally the radar in operation uses the same antenna both to transmit, and to receive signals. A radar that uses different antennas for transmission and reception is named, in the literature, as bi - static radar, and, to the best knowledge of the inventors, it has never been realized in a way conformal to the actual found. This is just what the inventors have proposed to realize.

It is also known that the radar performances generally depend on its capacity to detect the echo energy reflected by the target. To obtain this result, it is possible, either to increase the energy incident on the target, or to increase the receiver sensitivity.

The radar, to which the presented invention refers, employs the transmission of a continuous, pseudo - random, spread spectrum signal. This signal, with the same available power and for a fixed bandwidth availability allows to detect less reflecting and more distant objects, with respect to the two radar types previously mentioned. This effect is due to the increased energy incident on the target, and to the peculiar type of receiver used. This result is obtained without any reduction of the simultaneous and parallel analysis capacity of all radar beams and all radar range cells. The simultaneity of the receiving beams is ensured by the array antenna usage and by the digital beam forming technique. The parallel analysis of all the range cells is ensured by the peculiar architecture of the digital receiver. An alternative method for describing the bistatic spread spectrum radar operation, in the case of the transmission of a pseudo-random DS-SS(DirectSequence-Spread Spectrum) signal, is the following: the system pushes to the limit the integration gain of consecutive pulses by removing the usual limitation of the maximum number of pulses transmitted in a beam.

With respect to the previously mentioned solutions (pulsed radar and continuous wave radar, almost always mono-static), the present radar offers also other advantages, some of which are described here:

- The receiving antenna is of passive type and therefore results virtually invisible to electromagnetic detection: that antenna, in fact, can be located far away from the transmitting one (active antenna), that is the only detectable antenna, since it radiates an electromagnetic signal.
- Due to the processing gain associated with the usage in this radar of the spread spectrum transmission technique, it is possible to detect targets much smaller and more distant than before.
- Furthermore, due to the pseudo- noise (spread spectrum) signal usage, the radar transmission re-

sults very difficult to detect and/or less disturbing towards other systems (low interference). This means that the radar exhibits LPI/LI (Low Probability of Intercept/Low Interference) properties.

- The transmitting antenna appears, from the transmitted signal (signature) point of view, as a generic telecommunication transmitter and allows for a better camouflage of the radar itself.
- The availability of many classes of spread spectrum signals allows for a code agility, that, joined with the usual frequency agility, makes very difficult the ECM (Electronic Counter Measures) techniques.
- The anti-ECM resistance characteristics are enhanced with respect to the intentional disturbances (jamming), that are reduced both by the processing gain associated with the spread spectrum signal usage, and by the possibility to reduce the receiving array antenna gain, in the direction of the noise source (jammer), with the use of the "nulling lobe" classic technique, in the digital beam forming network.
- By the absence of refrigerating devices and antenna rotation devices, the antenna assembly is simplified (with a further reduction of weight), and this ensures to the radar a better reliability and capability to withstand the environmental stress, either natural or intentional.

In summary, the present radar has a very low probability to be detected (LPI Low Probability of Intercept), exhibits a good resistance to jamming (AJ Anti-Jamming), shows a low ARM (Anti Radiation Missiles) missiles vulnerability due to the array passive receiving antenna and, particularly, it has better detection characteristics, with equality of available transmitted power.

The invention is located in the scientific field of radar, more particularly in the military radar field, with surveillance finality and eventually as an help to the guidance of devices using passive sensors, and it is applicable both in the military, and in the civil application field.

The radar to which present patent request refers, is constituted of a transmitter and a receiver respectively connected to physically separated antennas, also of different type, that can be installed in different locations, also very far away from each other.

The transmitting antenna can be of various types: dipole, Yagi, reflector antenna, horn radiator antenna, array antenna, etc., depending on the radar working frequency and the desired polarization, provided that it can show coverage characteristics matching the surveillance volume. For example, if an essentially omnidirectional azimuth coverage, with an elevation angle not too high, is requested, a simple vertical dipole can be used.

The transmitter must continuously radiate in the surveillance volume, a pseudo-random signal (pseudo noise), centered on the requested carrier radio frequency, with a power adequate to the requested range of the target type of interest.

As well known, a pseudo-random signal, often indicated as "pseudo noise" or "spread spectrum", shows the characteristic to have autocorrelation properties, very similar to the noise, but to be nevertheless of deterministic type, that is well known a priori to the radar receiver. A "pseudo noise" type signal, which can be used, is the signal described in the literature as "direct sequence spread spectrum" (DS - SS), that is made of a sequence of digital pulses produced by a "pseudo noise" code generator.

It is useful to note that also other pseudo-random signal types ("pseudo noise" or "spread spectrum") with autocorrelation characteristics similar to that of the noise, could be used with an equal profit by the system.

The pseudo-random signal is converted to the interested transmission frequency, with a simple or multiple frequency conversion technique. In the event that it is interesting to periodically change the carrier radio frequency, it is possible to employ the frequency agility technique, described in the literature as "frequency hopping" (FH).

An essential advantageous characteristic of the radar transmitter is the possibility to generate, with direct digital synthesis techniques, the "spread spectrum" signal in base band (BB), and to convert it, in a second time, to the final transmission frequency, or the one to generate directly its version centered on the intermediate frequency (IF), or finally to generate its version centered directly on the carrier transmission frequency. If it is chosen the direct digital synthesis of the pseudo-random signal (spread spectrum) directly into the intermediate frequency (IF), or into the final radio frequency, the total number of the frequency conversions needed is lower.

The receiving antenna is constituted by an array of elementary receiving antennas. The elementary antennas can also be of different types, for example dipole, horn radiator, Yagi, microstrip, etc.

Each elementary antenna of the receiving array is directly connected to a frequency converter with a low noise figure (low noise figure (block) frequency (down) converter), that, in turn, feeds an analog-to-digital dedicated converter (A/D converter). The A/D conversion frequency is sufficiently high to allow both the correct conversion of the received signal, and to avoid the phenomenon known as "aliasing". The number of bit of the A/D converter is such as to ensure the correct operation of the radar in the whole expected dynamic of the received signal.

The digital streams coming from each element of the array (with "element" we intend the set of elementary antenna, the "low noise" frequency converter and the A/D converter) feed the digital beam former ("digital beam forming network"). This has as many (digital) inputs as the number of elements of the array and as many (digital) outputs as the number of beams necessary to cover the space sector of interest.

For example, if we needed 250 beams and the array

had 100 elements, the digital beam former ("digital beam forming network") would have 100 (digital) inputs and 250 (digital) outputs. The input and output digital data streams of the "digital beam forming network" are obviously parallel and simultaneous. For each beam of interest in the receiver coverage, the "digital beam forming network" performs the task to compute, with suitable complex (i.e. with real and imaginary parts) coefficients, the linear combination of the digital inputs which best synthesizes the beam of interest. With the term "suitable" we intend the fact that the coefficients are such as to synthesize the beam of interest according to the normal rules of the array antennas technology.

The suitable coefficients, for each beam, are computed with respect to the usage conditions. In fact, if we wish to minimize the effects of an eventual interference signal, we could use the well known adaptive suppression technique ("adaptive suppression of interference signal"), known also as "array (adaptive) nulling technique", currently used for array antennas.

Each digital output of the "digital beam forming network", that is the digital signal associated to each beam of the receiving antenna, feeds a dedicated digital receiver.

Each digital receiver has, in turn, the task to operate, in parallel and simultaneously, the digital correlation of the echo signal received, with local replicas, with suitable delay, of the pseudo random ("spread spectrum") transmitted signal. Each delayed replica of the transmitted signal can detect the echo signal coming from each elementary distance cell ("range cell") in which each receiving beam can be divided.

The synchronization between transmitter and receiver, needed to facilitate the received signal demodulation and the process of digital correlation, is supplied by an auxiliary channel (cable, optical fiber, radio channel).

The receiver, in fact, must have available:

- the transmitted carrier frequency information;
- the information related to the initial time (epoch) of the transmission of the base pseudo random "spread spectrum" signal;
- the identifier of the particular pseudo random transmitted signal and, in the case, the particular carrier frequency used with "frequency hopping";
- the relative position of transmitter and receiver and, preferably,
- the (optional) information relative to the clock used in the transmitted signal synthesis.

The presented radar is capable of transmitting a continuous pseudo random (spread spectrum) signal and, with the same available power and for a certain band availability, allows, as just said before, to detect objects less reflective and more distant, with respect to the two types of radar previously cited, due to the greater energy incident on the target and to the type of receiver

used (see fig. 5).

The invention is described now with reference to the version actually preferred by the inventors, and based on the attached drawings.

Fig. 1 - Action scenery of the bi-static digital radar.

Fig. 2 - Operation principle of the correlation digital receivers connected to a generic receiving beam.

Fig. 3 - Comparison table between a pulsed radar and the digital bi-static radar, object of the present patent pending.

Fig. 4 - Feature comparison between pulsed radar and digital bi-static radar.

Fig. 5 - Schematic representation, in the signal space, of the pulsed radar a); the continuous wave radar b); and digital spread spectrum radar c); in said figure: t = time; T = pulse repetition interval; τ = pulse duration; B = bandwidth and P = power.

Fig. 6 - schematic representation of the correlation processor (R4) for the detection of the target presence into the cell -Pure correlation architecture.

Fig. 7 - Schematic representation of the processor (R4) for the detection of the target presence into the cell -FIR filter (FIR matched filter) architecture.

With reference to Fig. 1, T1 is the digital generation block of the pseudo random signal. The block is constituted by the digital clock generator T11, the pseudo random digital signal synthesizer T12, and the frequency converter FC-T13.

The frequency converter FC is absent if the pseudo random signal is digitally generated directly at the desired carrier frequency.

T2 indicates the linear power amplifier.

T3 indicates the transmitting antenna.

R1 indicates the receiving array antenna.

R2 is the set of low noise figure frequency converters (LNC) and the Analog - to Digital converters (A/D).

Each LNC-A/D unit is connected to the corresponding elementary antenna of the array. The number of the elementary antennas of the array is indicated with N and represents also the number of digital inputs simultaneous and parallel to R3.

R3 indicates the digital beam forming network of the parallel and simultaneous receiving beams. The number of such beams is indicated by M .

R4 indicates the set of correlation digital receivers associated to the cells. More precisely, R4 is the schematization of the radar echo detecting unit, where the rows are the single beams, and the columns are the cells c in range. When an echo is detected by the correlation digital receiver associated to the c cell, the digital signal can be represented to the operator, or submitted to further computations, proper of the target classification, discrimination, identification and clutter suppression techniques.

For each output of R3, corresponding to a receiving beam, there are as many digital correlators K as the

range cells of interest. In the schematic diagram it can be noted that the presence of targets in the beams M1 and M2 produces a correlation peak in correspondence of the range cells marked with a little black dot (*).

R5 indicates the digital presentation device of the processed radar signal, or another system to which the digital information provided by the radar is to be sent. In the schematic diagram we have indicated, to be simple, a display device of PPI type.

S indicates the auxiliary synchronization channel. This channel carries the information relative to the frequency currently in use, to make a correct low noise figure frequency conversion of R2, and also the information relative to the initial time of generation of the transmitted base pseudo random signal and in the case the digital clock (optional).

With reference to Fig. 2, it is showed the detecting principle (with correlation) of the received pseudo random signal, containing the information of the target presence.

In Fig. 2-f), the E_s echo signal, coming from a generic beam, is received by the array antenna R1, processed as described in Fig. 1, until the output of the signal from the digital beam forming network. The digital signal received is then correlated with copies of the reference signal SF, suitably delayed on the base of range cell that will be observed. When the echo signal eventually received is aligned with the delayed copy of the reference signal SF, corresponding to the range cell observed, the correlation peak detecting the target is obtained.

The two processors described are used for the same finality of target detection, with the difference that the first described (Fig. 6) allows the detection of the target at the end of signal reception, while the second (Fig. 7) allows the partial detection of the target during the reception of the pseudo random sequence. These processors represent one of the interesting aspects of the present patent pending.

With reference to Fig. 2 e), it is showed there the echo of return signal after the digital beam forming network and the replicas SF of the reference signal which are time delayed of a quantity corresponding to the cell distance.

With reference to the Figs. 3 and 4, it is showed the comparison between the performance of a pulsed radar and that of the bi-static spread spectrum digital radar, in terms of signal to noise ratio, and therefore of target "detecting capability". It can be noted the advantage, in the specific case, of about 40 dB, due to the "processing gain", or, more simply, to the integration of the greater energy incident on the target. As already said, the correlation digital receiver can be implemented in two different configurations, showed in Fig. 6 and Fig. 7.

In the case of Fig. 6, the correlation digital receivers (R4) operate on a digital correlation simplified architecture basis, which can be better realized with a processor of DSP (Digital signal Processor) type, to which are assigned the functions of sub-correlation of the received

signal (I and Q components) with time-delayed replicas of the time τ of the transmitted signal, their partial integration Σ and its successive processing by the FFT. These DSP are commercially available. It must be noted that the sub correlation and the successive processing by the FFT allow on one hand to avoid the "destructive" phase lag on the correlation gain introduced by the Doppler effect associated to the radial velocity of the target, obtaining on the other hand as an additive result, the detecting and the estimate of the Doppler itself.

In the case of Fig. 7, the correlation digital receivers (R4) are realized using one or more dedicated devices (ASIC, FPGA, etc.), made of process elements composed by two registers for the I and Q components of the received signal (Reg. I and Reg. Q), by the elementary correlators of the reference signal (a_1, a_2, \dots, a_N), by the partial adders Σ , by the FFT with N inputs and N outputs, by the module extractor (MODEXTR) with N inputs and N outputs, by the maximum detector (MAX), and by a further sawtooth correlator.

Claims

1. Bi-static spread spectrum digital radar, characterized by the fact to be constituted (Fig. 1) by a pseudo random digital signal generator (T12), by the digital clock generator (T11), by the frequency converter (FC-T13), by the power amplifier (T2), by the transmitting antenna (T3), by the receiving array antenna (R1), by the set of low noise figure frequency converters (R2 LNC) and by the set of analog to digital converters (R2 A/D), by the digital beam forming network (R3) and by the set of correlation digital receivers associated with the resolution cells (R4), integrated into one or more dedicated or not dedicated processors, by a detected signal presentation device or by a system to which the radar digital information can be sent (R5).
2. Bi-static spread spectrum digital radar, according to claim 1, characterized by the fact that the pseudo random signal generator (T12) is a digital generator of variable length pseudo random codes, pertaining to the code classes with minimum correlation, and is a commercially available device.
3. Bi-static spread spectrum digital radar, according to claim 1, characterized by the fact that the so called digital clock generator (T11) is an high stability device, with a quartz or rubidium or cesium or GPS (Global Position System) signal derived frequency reference: this device is commercially available.
4. Bi-static spread spectrum digital radar, according to claim 1, characterized by the fact that the so called frequency converter (FC-T13), is constituted by oscillators, filters and mixers, and is commercially

available.

- 5. Bi-static spread spectrum digital radar, according to claim 1, characterized by the fact that the low distortion linear power amplifier (T2) can be a solid state, a tube, a klystron or TWT device, and is commercially available. 5

- 6. Bi-static spread spectrum digital radar, according to claim 1, characterized by the fact that the so called transmitting antenna (T3), can be a dipole antenna a Yagi, antenna. etc, provided that it will cover the requested volume, this device is commercially available. 10

- 7. Bi-static spread spectrum digital radar, according to claim 1, characterized by the fact that the so called receiving array antenna (R1) is constituted by a proper number of receiving elements, as dipole or horn radiators, or other, according to the used frequency, and is commercially available. 15

- 8. Bi-static spread spectrum digital radar, according to claim 1, characterized by the fact that the so called frequency converters (R2 LNC) are low noise figure devices; they are commercially available. 20

- 9. Bi-static spread spectrum digital radar, according to claim 1, characterized by the fact that the so called analog to digital converters (R2 A/D) have dynamics (that is number of bits) and instantaneous bandwidth (that is sampling rate) suitable to convert the received signals; such devices are commercially available. 25

- 10. Bi-static spread spectrum digital radar, according to claim 1, characterized by the fact that the so called digital beam forming network (R3) must be of variable coefficients linear network type, with a number of inputs equal to the number of elements of the receiving antenna, and a number of outputs equal to the number of formed beams. 30

- 11. Bi-static spread spectrum digital radar, according to claim 1, characterized by the fact that the so called correlation digital receivers (R4) operate on the base of a simplified architecture for digital correlation (Fig. 6) that can be considered as a DSP (Digital signal Processor) type processor which has the function to sub correlate the received signal (I and Q components) with delayed replicas by the time τ of the transmitted signal, their partial integration Σ and the successive processing by the FFT. 35

- 12. Digital processor according to claim 1, characterized by the fact to be constituted by process elements composed by (Fig 7) two registers for the I and Q components of the received signal (Reg. I 40

and Reg. Q), of the elementary correlators (a1, a2,.....aN) of the reference signal, by the partial adders Σ , by the FFT with N inputs and N outputs, by the module extractor (MODEXTR) with N inputs and N outputs, by the maximum detector (MAX), by a further sawtooth correlator.

- 13. Bi-static spread spectrum digital radar, according to claim 1, characterized by the fact to have available a PPI or other type presentation device, capable to present the information to the operator or to send it in a digital manner, to other systems (R5), which is commercially available. 45

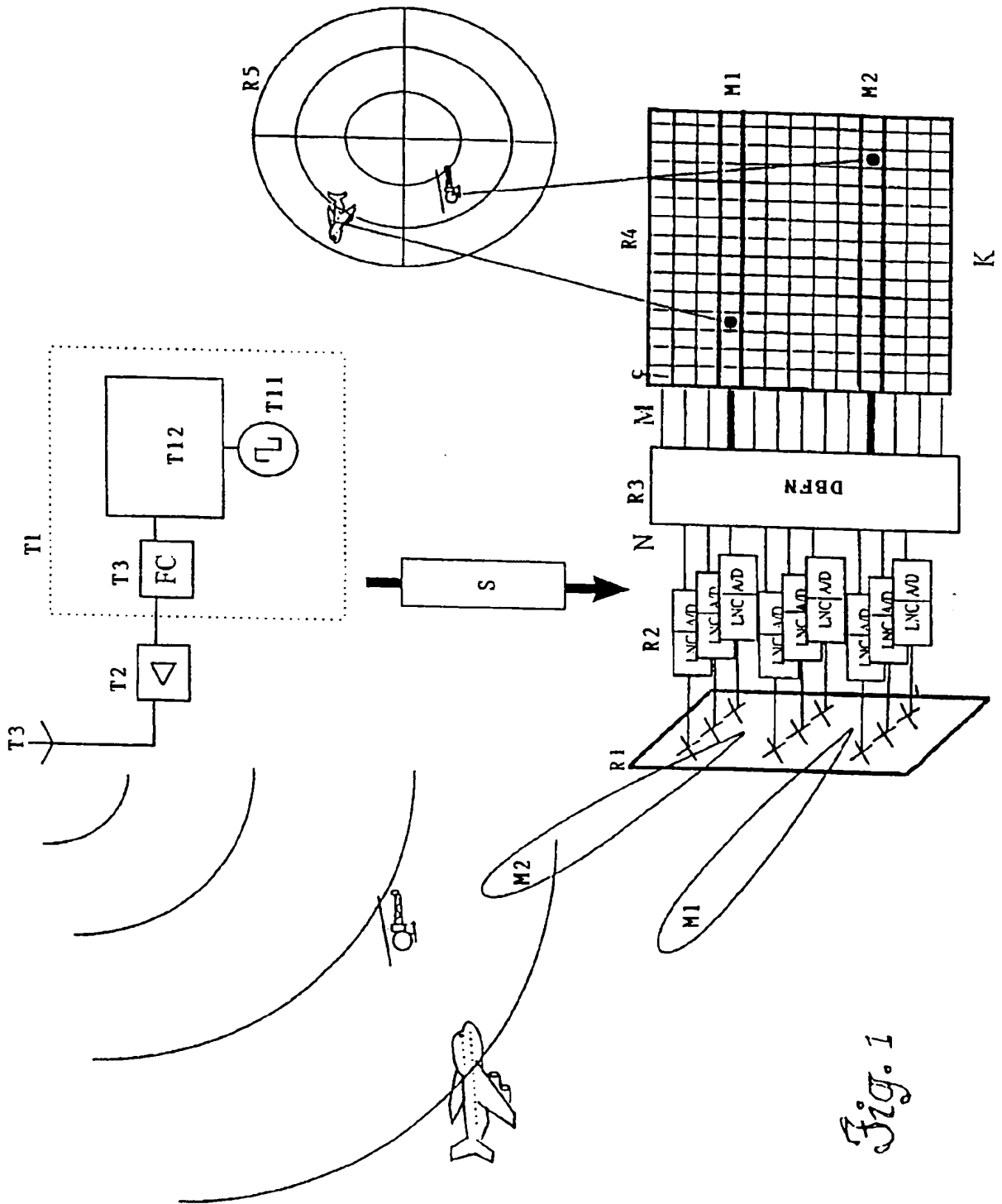


Fig. 1

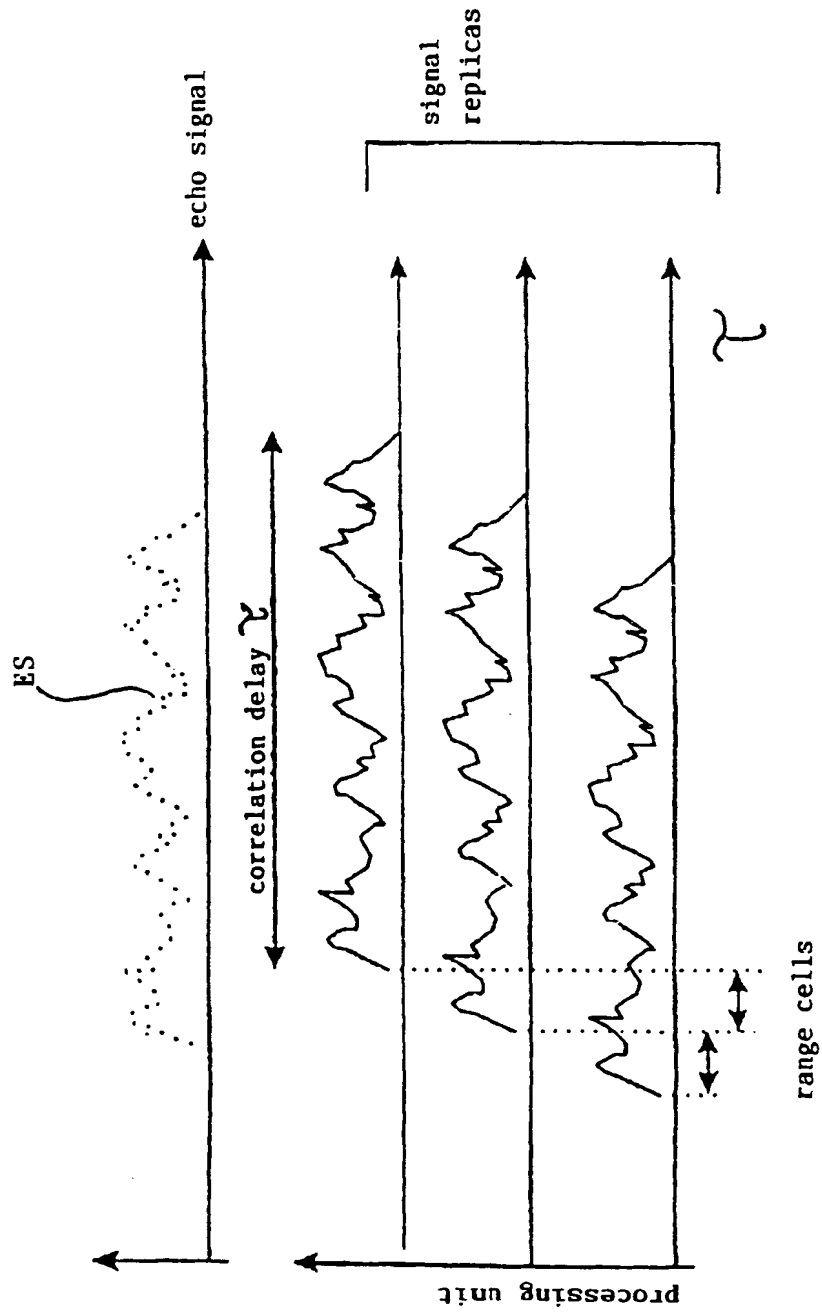


Fig. 2e)

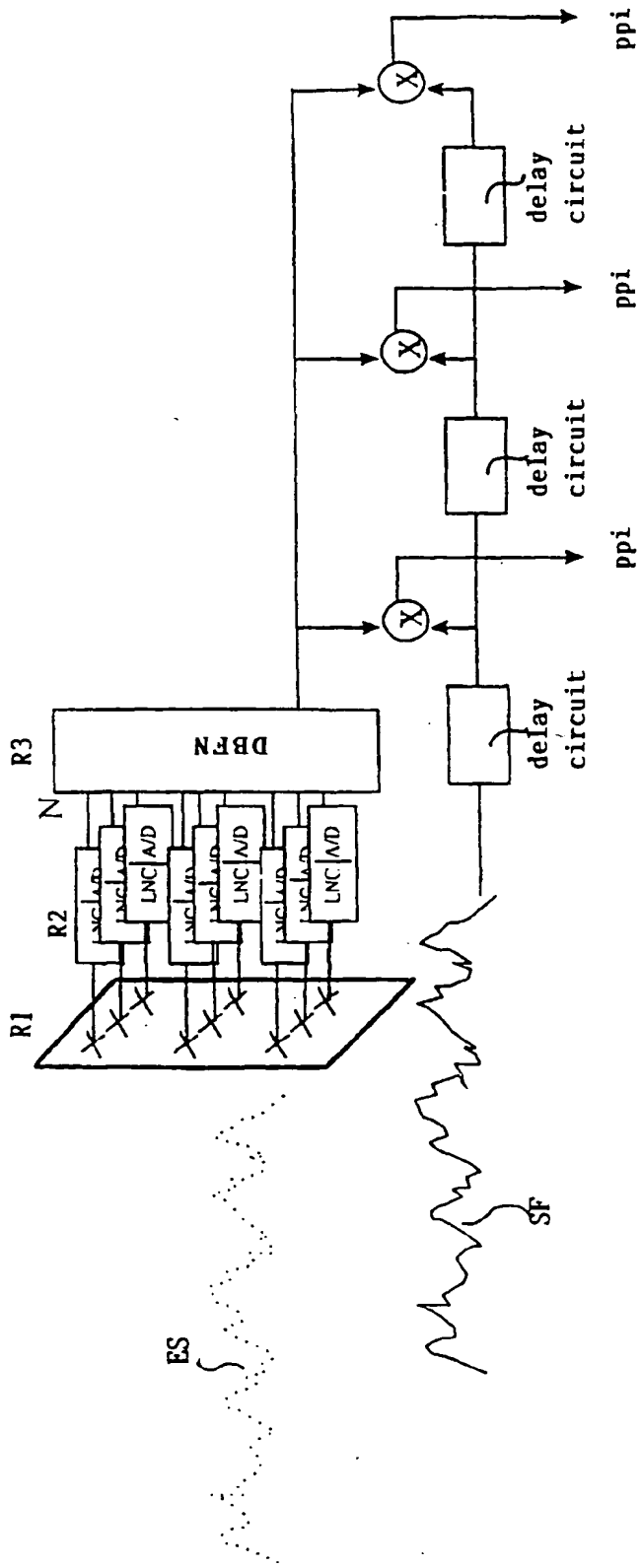


Fig. 2 f)

Range km	PULSED RADAR PRF 1 kHz, DC 10%, PP 100 kW			BI-STATIC DIGITAL RADAR WFM 1 s, BB 100 kHz, P 50 kW		
	Power dBm	Energy dBm*s	S/N dB	Power dBm	Energy dBm*s	S/N dB
50	-104.46	-144.46	26.94	-137.46	-107.46	63.94
75	-111.50	-151.50	19.90	-144.50	-114.50	56.90
100	-116.50	-156.50	14.90	-149.50	-119.50	51.90
125	-120.37	-160.37	11.02	-153.37	-123.37	48.02
150	-123.54	-163.54	7.86	-156.54	-126.54	44.86
175	-126.22	-166.22	5.18	-159.22	-129.22	42.18
200	-128.54	-168.54	2.86	-161.54	-131.54	39.86
225	-130.59	-170.59	0.81	-163.59	-133.59	37.81
250	-132.42	-172.42	-1.02	-165.42	-135.42	35.98
275	-134.07	-174.07	-2.67	-167.07	-137.07	34.33
300				-168.58	-138.58	32.82
325				-169.97	-139.97	31.43
350				-171.26	-141.26	30.14
375				-172.46	-142.46	28.94
400				-173.58	-143.58	27.82
425				-174.63	-144.63	26.77
450				-175.63	-145.63	25.77
475				-176.57	-146.57	24.83
500				-177.46	-147.46	23.94

Fig. 3

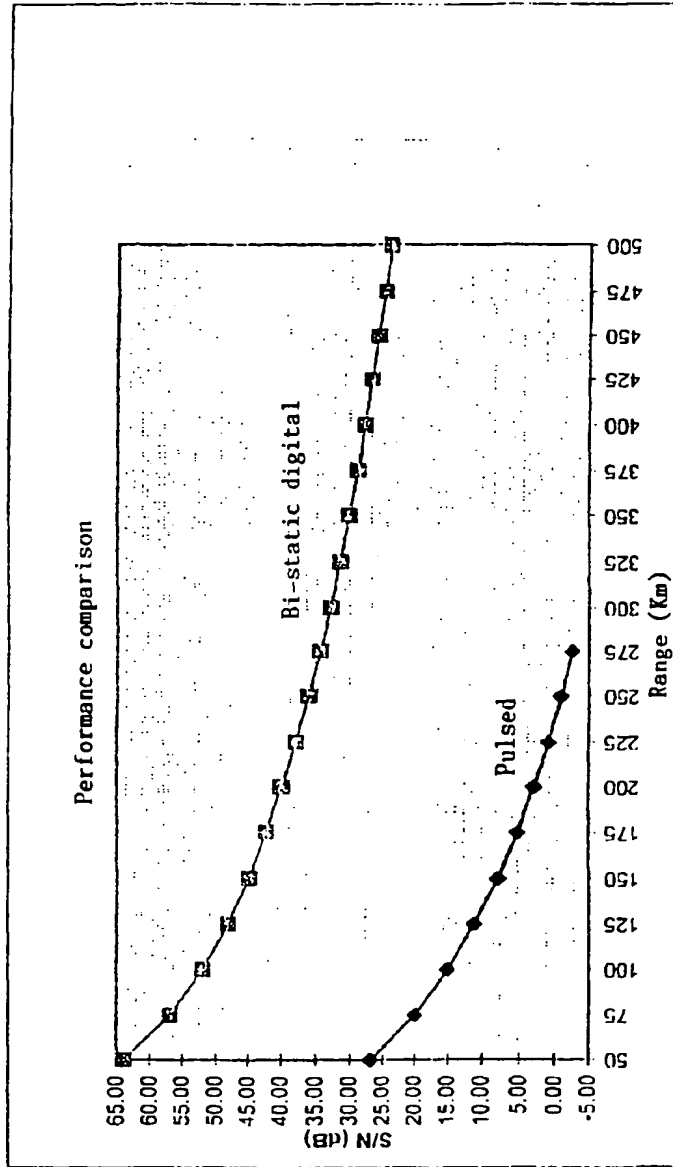


Fig. 4

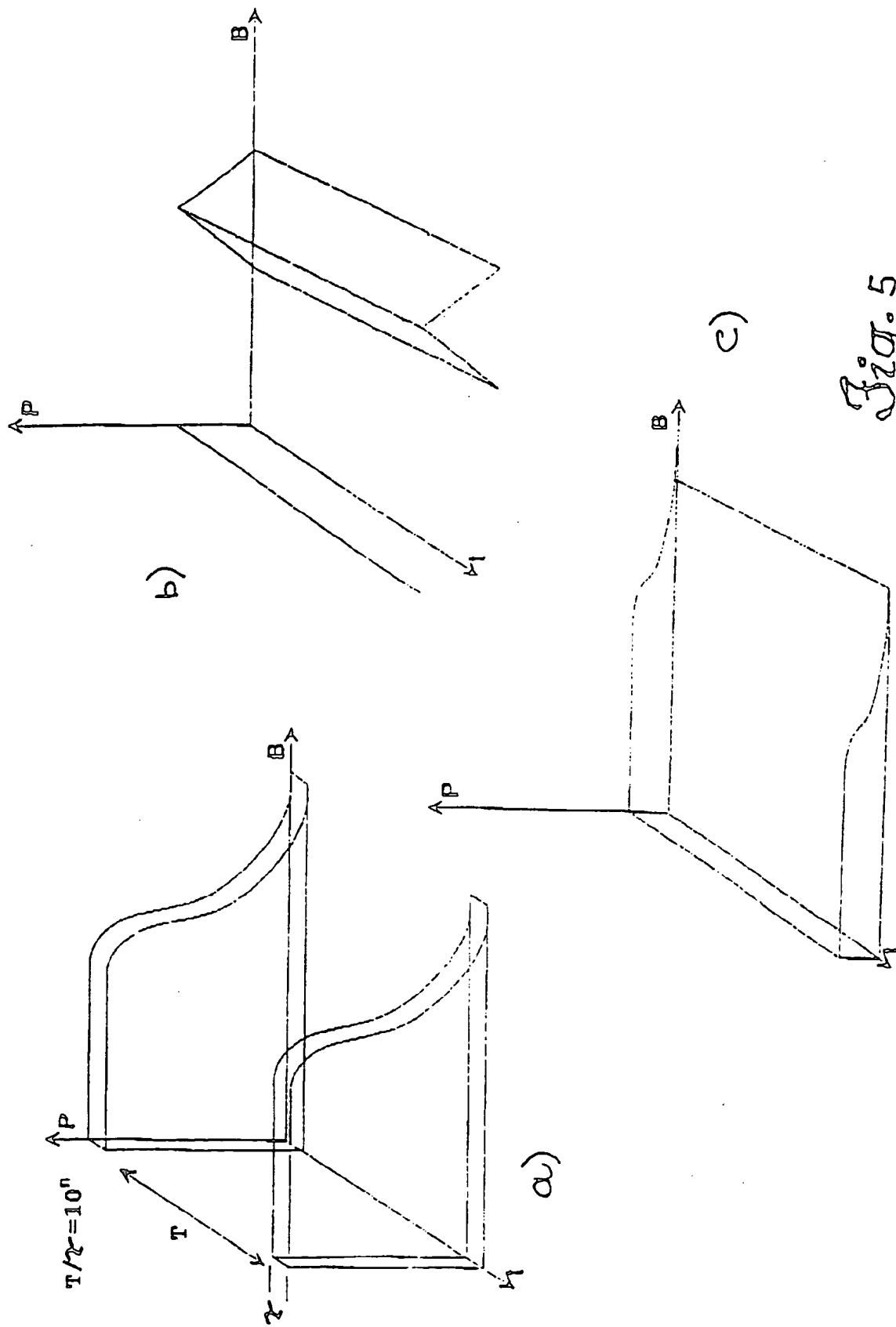


Fig. 5

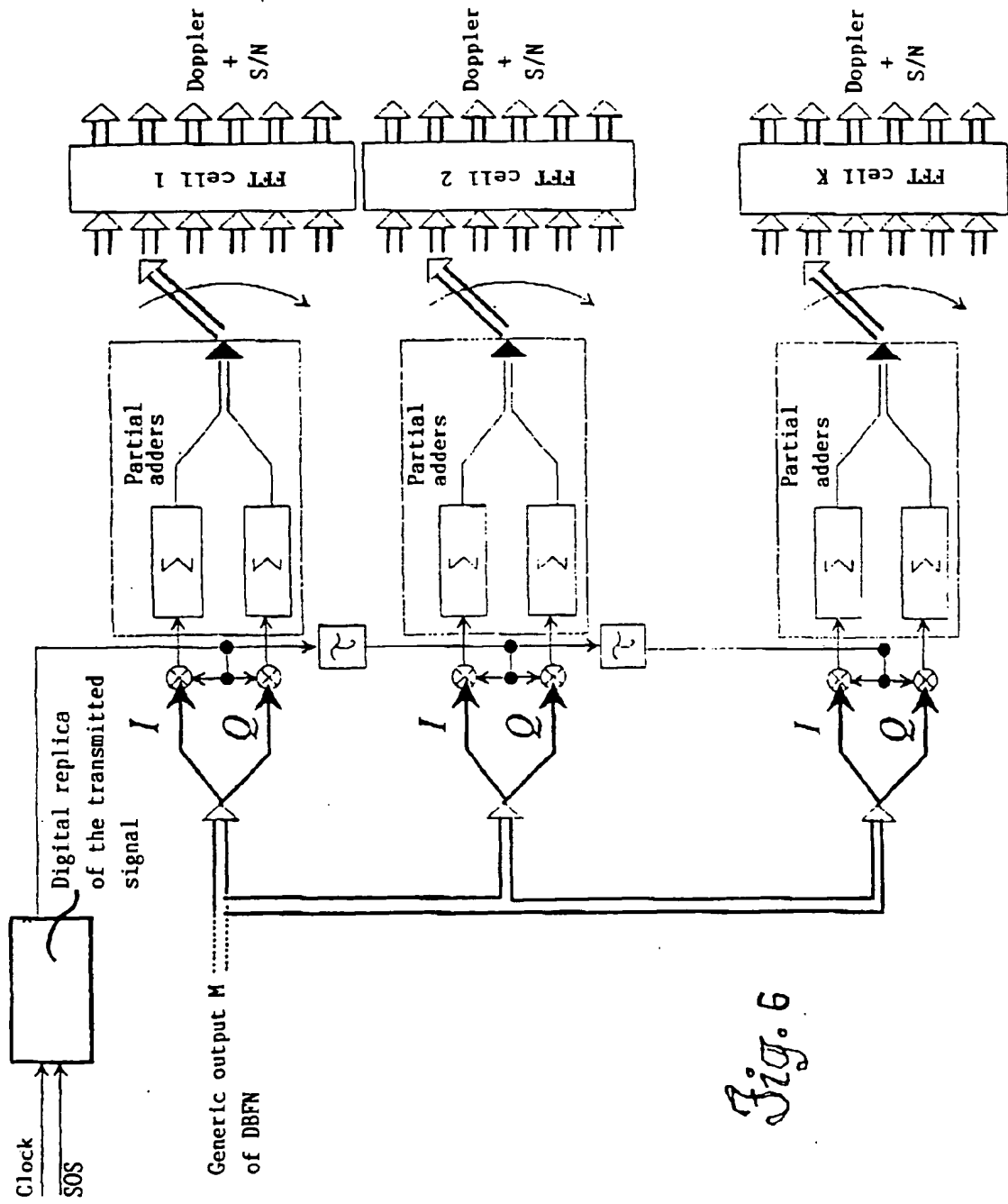


Fig. 6

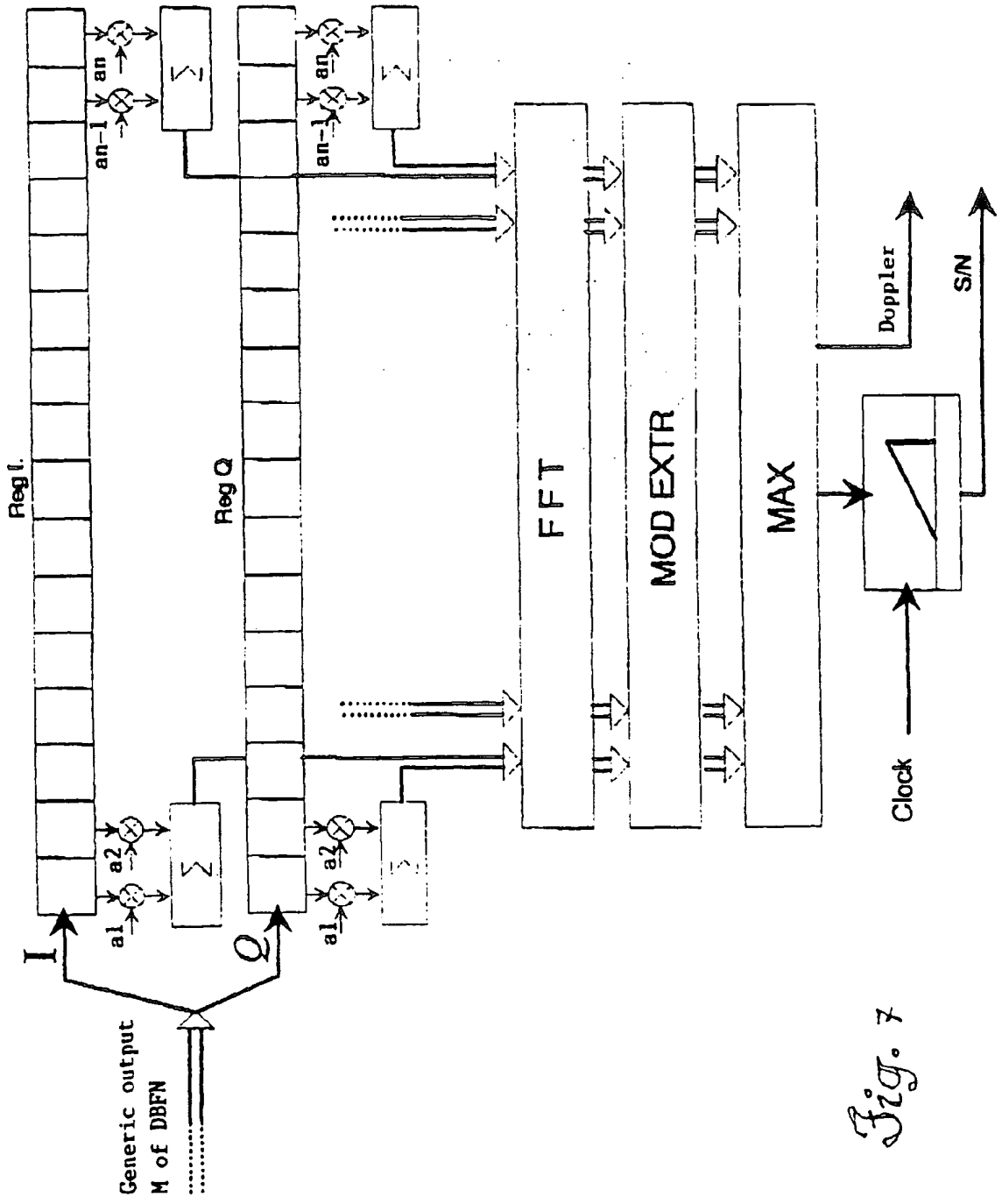


Fig. 7



European Patent Office

EUROPEAN SEARCH REPORT

Application Number
EP 98 83 0378

DOCUMENTS CONSIDERED TO BE RELEVANT			
Category	Citation of document with indication, where appropriate, of relevant passages	Relevant to claim	CLASSIFICATION OF THE APPLICATION (Int.Cl.6)
Y	BETTS: "An X-Band Bistatic Radar System" EUROPEAN MICROWAVE CONFERENCE, vol. 1, - 13 September 1990 pages 867-873, XP000327018 BUDAPEST HUNGARY * page 861 - page 872 * ---	1,10	G01S13/00
Y	BLATTMAN: "Spread Spectrum Technology Applied to Microwave Bistatic Intrusion Detection sensors" PROCEEDINGS 1985 CARNAHAN CONFERENCE ON SECURITY TECHNOLOGY, - 17 May 1985 pages 65-74, XP002079465 Univ of Kentucky, Lexington, Kentucky USA * page 67 - page 70 * * page 73 * ---	1,10	
A	---	11,12	
A	EP 0 681 190 A (THOMSON CSF) 8 November 1995 * abstract; claims; figures * ---	1,10-12	
A	US 5 265 121 A (STEWART CLARENCE H) 23 November 1993 * abstract; claims; figures * ---	1,10-12	TECHNICAL FIELDS SEARCHED (Int.Cl.6) G01S
A	US 4 605 922 A (BLATTMAN DANIEL A ET AL) 12 August 1986 * abstract; claims; figures * -----	1	
The present search report has been drawn up for all claims			
Place of search THE HAGUE		Date of completion of the search 2 October 1998	Examiner Devine, J
CATEGORY OF CITED DOCUMENTS		T : theory or principle underlying the invention E : earlier patent document, but published on, or after the filing date D : document cited in the application L : document cited for other reasons & : member of the same patent family, corresponding document	
X : particularly relevant if taken alone Y : particularly relevant if combined with another document of the same category A : technical background O : non-written disclosure P : intermediate document			

EPO FORM 1509 01/92 (P04C01)

